

DVPAEXT01-E2

Instruction Sheet Bilgi Dökümanı

安裝說明 安 裝 說 明

2012-03-16



5012613800-AT00

Extension Cable Interface Module for DVP-ES2/EX2 Series PLC
DVP-ES2/EX2 Serisi PLC için Harici Kablo Arabirim Modülü
DVP-ES2/EX2 系列延長線連接模組
DVP-ES2/EX2 系列延長線連接模組

Read this instruction sheet carefully before using DVPAEXT01-E2.

DVPAEXT01-E2 is an OPEN TYPE device and therefore should be installed in an enclosure free of airborne dust, humidity, electric shock and vibration. The enclosure should prevent non-maintenance staff from operating the device (e.g. keys or specific tools are required to open the enclosure) in case danger and damage to the device may occur.

DVPAEXT01-E2 (including DVPAEXT1R-E2, DVPAEXT1L-E2 and the cable) is used for connecting an MPU and an extension module, or extension modules.

Make sure the power of the MPU and the extension module is switched off when wiring. Power the MPU and the extension module after the installation of DVPAEXT01-E2 is completed.



Warning

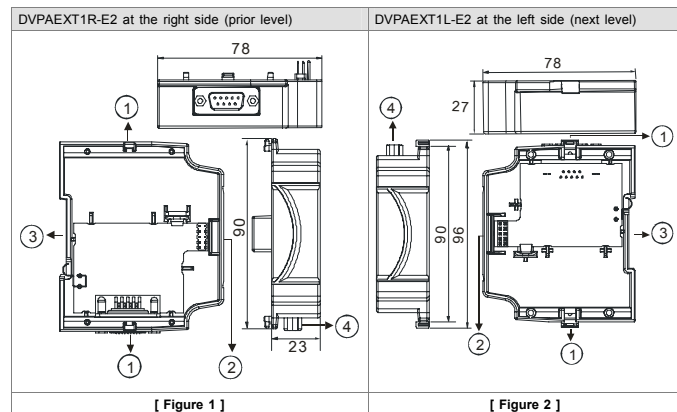
ENGLISH

- Read this instruction sheet carefully before using DVPAEXT01-E2.
- DVPAEXT01-E2 is an OPEN TYPE device and therefore should be installed in an enclosure free of airborne dust, humidity, electric shock and vibration. The enclosure should prevent non-maintenance staff from operating the device (e.g. keys or specific tools are required to open the enclosure) in case danger and damage to the device may occur.
- DVPAEXT01-E2 (including DVPAEXT1R-E2, DVPAEXT1L-E2 and the cable) is used for connecting an MPU and an extension module, or extension modules.
- Make sure the power of the MPU and the extension module is switched off when wiring. Power the MPU and the extension module after the installation of DVPAEXT01-E2 is completed.

Introduction

Thank you for choosing Delta's DVP series accessory. DVPAEXT01-E2 is an extension cable interface module. The extension distance available is 0.7m. DVPAEXT01-E2 is only applicable to the connection between DVP-ES2/EX2 series MPU and the DI/DO or AI/AO extension module, and does not occupy any extension point or module space.

Product Profile & Outline



Unit: mm

- ① I/O module fixed clip
- ② I/O module connection port
- ③ DIN rail fixed slot
- ④ Extension cable port

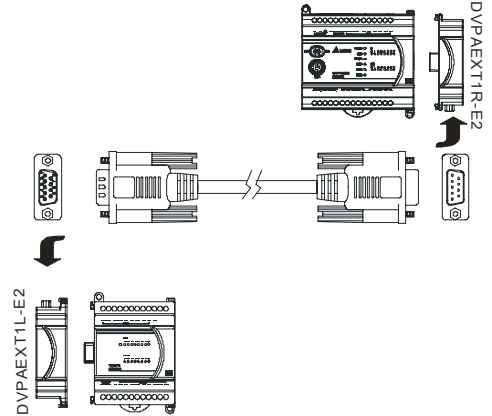
Specifications

Item	Model	
	DVPAEXT1R-E2	DVPAEXT1L-E2
Noise immunity	ESD: 8KV Air Discharge EFT: Power Line: 2KV RS: 26MHz ~ 1GHz, 10V/m	
Operation/storage	Operation: 0°C ~ 55°C (temperature), 50 ~ 95% (humidity), pollution degree 2 Storage: -25°C ~ 70°C (temperature), 5 ~ 95% (humidity)	
Shock/vibration immunity	International standard: IEC61131-2, IEC 68-2-6 (TEST Fc)/IEC61131-2 & IEC 68-2-27 (TEST Ea)	
Weight (approx.) (g)	50	55

Installation and Wiring

Connect DVPAEXT01-E2 with Modules

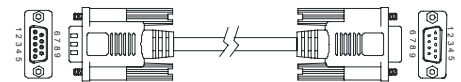
Using DVPAEXT01-E2 to connect DVP-ES2/EX2 series MPU with the DI/DO or AI/AO extension module:



[Figure 3]

Port Pin Definition

Please use the cable to install DVPAEXT1R-E2 and DVPAEXT1L-E2.



[Figure 4]

注意事項

繁體中文

- 請在使用之前，詳細閱讀本使用說明書。
- 本機為開放型 (OPEN TYPE) 機殼，因此使用者使用本機時，必須將之安裝於具防塵、防潮及免於電擊 / 衝擊意外之外殼配線箱內，另必須具備保護措施 (如：特殊之工具或鑰匙才可打開) 防止非維護人員操作或意外衝擊本體，造成危險及損壞。
- 本產品 DVPAEXT01-E2 (內含 DVPAEXT1R-E2、DVPAEXT1L-E2 與連接線) 用於 ES2/EX2 系列主機與擴充模組或擴充模組與擴充模組之間連接延長使用。
- 配線時請務必關閉主機與擴充模組電源，安裝完成後才可上電。

產品簡介

謝謝您採用台達 DVP 配件，本機為擴充延長線模組，有效延伸距離為 0.7 公尺，僅適用於 DVP-ES2/EX2 系列主機與 DI/DO、AI/AO 擴充模組間之連線，且不佔用數位擴充點數及類比擴充模組台數。

產品外觀及各部介紹

DVPAEXT1R-E2 為右側 (前級)、DVPAEXT1L-E2 為左側 (後級)，詳細部位指示圖與外觀尺寸請參閱英文版 [Figure1] 及 [Figure2]，單位：mm。

- ① 模組固定扣
- ② 模組連接口
- ③ DIN 軌固定槽
- ④ 延長線端口

功能規格

項目	機種	
	DVPAEXT1R-E2	DVPAEXT1L-E2
雜訊免疫力	ESD: 8KV Air Discharge EFT: Power Line: 2KV RS: 26MHz~1GHz, 10V/m	
操作 / 儲存環境	操作: 0°C ~ 55°C (溫度) · 50 ~ 95% (濕度) · 污染等級 2 儲存: -25°C ~ 70°C (溫度) · 5 ~ 95% (濕度)	
耐振動 / 衝擊	國際標準規範 IEC61131-2, IEC 68-2-6 (TEST Fc)/IEC61131-2 & IEC 68-2-27 (TEST Ea)	
重量 (約) (公克)	50	55

安裝與配線

PLC 模組與 DVPAEXT01-E2 連接

安裝 ES2/EX2 系列主機與 DI/DO、AI/AO 擴充機時，使用 DVPAEXT01-E2 連接模組之連接示意圖，詳細圖示請參閱英文版 [Figure3]。

連接線端口腳位定義

安裝 DVPAEXT1L-E2 與 DVPAEXT1R-E2 連接器時，必須使用 DVPAEXT01-E2 內附之連接線，其腳位定義詳細圖示請參閱英文版 [Figure4]。

⚠ 注意事项

简体中文

- ✓ 请在使用之前，详细阅读本使用说明书。
- ✓ 本机为开放式（OPEN TYPE）机壳，因此使用者使用本机时，必须将之安装于具防尘、防潮及免于电击/冲击意外之外壳配线箱内，另必须具备保护措施（如：特殊之工具或钥匙才可打开）防止非维护人员操作或意外冲击本体，造成危险及损坏。
- ✓ 本产品 DVPAEXT01-E2（内含 DVPAEXT1R-E2、DVPAEXT1L-E2 与连接线）用于 ES2/EX2 系列主机与扩充模块或扩充模块与扩充模块之间连接延长使用。
- ✓ 配线时请务必关闭主机与扩充模块电源，安装完成后才可上电。

① 产品简介

感谢您采用台达 DVP 配件，本机为扩充延长线模块，有效延伸距离为 0.7 公尺，仅适用于 DVP-ES2/EX2 系列主机与 DI/DO、AI/AO 扩充模块间之联机，且不占用数字扩充点数及模拟扩充模块台数。

■ 产品外观及各部介绍

DVPAEXT1R-E2 为右侧（前级）、DVPAEXT1L-E2 为左侧（后级），详细部位指示图与外观尺寸请参阅英文版 [Figure1] 及 [Figure2]，单位：mm。

① 模块固定扣	② 模块连接口
③ DIN 轨固定槽	④ 延长线端口

② 功能规格

项目	DVPAEXT01-E2	
	DVPAEXT1R-E2	DVPAEXT1L-E2
噪声免疫力	ESD：8KV Air Discharge EFT：Power Line: 2KV RS：26MHz~1GHz, 10V/m	
操作 / 储存环境	操作：0°C ~ 55°C (温度) · 50 ~ 95% (湿度) · 污染等级 2 储存：-25°C ~ 70°C (温度) · 5 ~ 95% (湿度)	
耐振动 / 冲击	国际标准规范 IEC61131-2, IEC 68-2-6 (TEST Fc)/IEC61131-2 & IEC 68-2-27 (TEST Ea)	
重量 (约) (公克)	50	55

③ 安装与配线

■ PLC 模块与 DVPAEXT01-E2 连接

安装 ES2/EX2 系列主机与 DI/DO、AI/AO 扩充机时，使用 DVPAEXT01-E2 连接模块之连接示意图，详细图示请参阅英文版 [Figure3]。

■ 连接线端口脚位定义

安装 DVPAEXT1L-E2 与 DVPAEXT1R-E2 连接器时，必须使用 DVPAEXT01-E2 内附之连接线，其脚位定义详细图示请参阅英文版 [Figure4]。

⚠ Uyarı

TÜRKÇE

- ✓ DVPAEXT01-E2 kullanmadan önce manüel dikkatlice okuyunuz.
- ✓ DVPAEXT01-E2 AÇIK-TİP bir cihaz olup toz, rutubet, elektrik şoku ve titreşimin olduğu ortamlardan uzak yerlere kurulmalıdır. Ayrıca cihaza doğrudan müdahale edilmesini engelleyecek önlemler alınmalıdır. (Örneğin cihazın bulunduğu panoaya kilit konulması gibi).
- ✓ DVPAEXT01-E2 (DVPAEXT1R-E2, DVPAEXT1L-E2 ve kablo dahil) bir MPU ile ilave modül veya modülleri birbirine bağlamak için kullanılır.
- ✓ Bağlantılarını yapmadan önce MPU'nun enerjisini olmadıgından emin olunuz ve sonra MPU ve ilave modüllere enerji veriniz.

① Önsöz

Delta'nın DVP serisini seçtiğiniz için teşekkür ederiz. DVPAEXT01-E2 bir harici kablo arabirim modülüdür. Maksimum ilave uzaklığı 0.7m.'dir. DVPAEXT01-E2 sadece DVP-ES2/EX2 serisi PLC'ler ve DI/DO, AI/AO ilave modüller için kullanılır ve herhangi bir ilave nokta veya modül boşluğu işgal etmez.

■ Ürün Profili

DVPAEXT1L-E2 sol kenardan (önceki seviye), DVPAEXT1R-E2 sağ kenardan (sonraki seviye), İngilizce bölümde Şekil 1 [Figure 1]'e ve Şekil 2 [Figure 2]'ye bakınız. Birim: mm.

① I/O modül sabitleme klipsi	② I/O modül bağlantı portu
③ DIN ray sabitleme slotu	④ ilave kablosu portu

② Özellikler

Madde	DVPAEXT01-E2	
	DVPAEXT1L-E2	DVPAEXT1R-E2
Ses bağışıklığı	ESD: 8KV Hava Deşarj EFT: Güç Hattı: 2KV RS: 26MHz ~ 1GHz, 10V/m	
Çalışma/Saklama	Çalışma: 0°C ~ 55°C (sıcaklık), 50 ~ 95% (nem), kirlilik derecesi 2 Saklama: -25°C ~ 70°C (sıcaklık), 5 ~ 95% (nem)	
Şok/titreşim bağışıklığı	Uluslararası standart: IEC61131-2, IEC 68-2-6 (TEST Fc)/IEC61131-2 & IEC 68-2-27 (TEST Ea)	
Ağırlık (g)	50	55

③ Kurulum ve Bağlantıları

■ DVPAEXT01-E2 modülleri ile bağlantı

DVPAEXT01-E2 kullanarak DI/DI, AI/AO ile DVP-ES2/EX2 serisi MPU'ya bağlantısı. İngilizce bölümde Şekil 3 [Figure 3]'e bakınız.

■ Port Pin Açıklaması

Lütfen kabloyu DVPAEXT1R-E2 ve DVPAEXT1L-E2 kurulumu için kullanınız. Detaylar için İngilizce bölümde [Figure 4] bakınız.